

# Miniweigher plus



## Features and benefits:

- Large 25mm/1" LCD Display
- High Accuracy
- Selectable Units te, lbs, kN & kg
- High Resolution
- Compact Size
- Tare
- Preset Tare
- Lightweight
- Overload Counter
- 90dB Audible Set Point Alarm
- RS-485 Serial Output
- Corrosion Resistant Finish

Optional connection to Straightpoint's Handheld plus (SU3343) or Straightpoint's Desktop controller data logging software package (DCP10M).

**This small and compact mini crane weigher scale will suit most lifting applications. Available in capacities from 100kg to 5t. Worldwide, it's Straightpoint's most popular product and has been manufactured since 1987. The Miniweigher plus crane scale offers robust construction, high accuracy, compact size and extreme portability.**

Utilised by utility companies on every continent, the Miniweigher plus crane scale is quite often mounted between a winch and a tripod, allowing the load monitoring and safe lowering and raising of equipment and personnel, and has proven itself to be an indispensable tool for underground sewer, water, gas, and utility vault access.

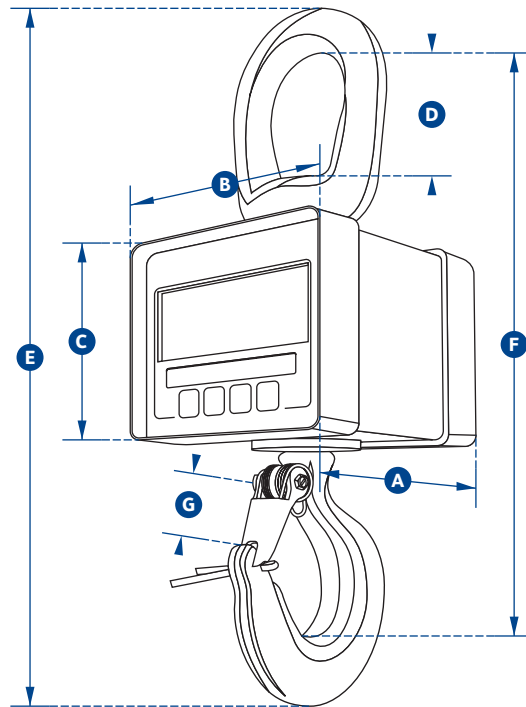
The Miniweigher plus features full function push button controls for tare, choice of units (lbs, kg, kN and tonnes), peak hold, preset tare, audible set-point alarm and an overload counter.

Straightpoint's advanced microprocessor based electronics provide the Miniweigher plus with high speed read rates, extreme resistance to industrial level noise and unprecedented stability. This high stability allows 5,000 + divisions and the highest standard resolution of any compact digital crane scale on the market today. The unit also features a RS-485 serial output providing added functionality and versatility.

In all, the lightweight design, corrosion resistant finish, advanced electronics and full feature display have made the Miniweigher plus crane scale the only choice when looking for a compact, safe and accurate, crane scale.



**making the lifting industry a safer place**



Part Number	MWP100KG	MWP250KG	MWP500KG	MWP1T	MWP2T	MWP5T
Capacity	100kg 220lb	250kg 550lb	500kg 1100lb	1000kg 2200lb	2te 4400lb	5te 11000lb
Resolution	0.05kg 0.1lb	0.01kg 0.2lb	0.2kg 0.5lb	0.5kg 1lb	0.001te 2lb	0.001te 2lb
Units	t, kg, kN and lb lb, t, kg and kN					
Weight	1.5kg 3.3lb	1.5kg 3.3lb	1.5kg 3.3lb	1.5kg 3.3lb	3.1kg 6.8lb	8.7kg 19.2lb
Safety Factor	10:1	5:1	5:1	5:1	5:1	5:1
Battery Type	9v PP3					
Battery Life	80 hours continuous					
Display Type	6 digit 25mm LCD / 6 digit 1" LCD					
Operating Temp	-10°C to +50°C / 14°F to 122°F					
Accuracy	±0.3% of applied load					
Protection	IP65 / NEMA 4X					
Dimension A	82 3.23"	82 3.23"	82 3.23"	82 3.23"	117 4.61"	136 5.35"
Dimension B	113 4.45"	113 4.45"	113 4.45"	113 4.45"	112 4.41"	112 4.41"
Dimension C	81 3.19"	81 3.19"	81 3.19"	81 3.19"	92 3.62"	92 3.62"
Dimension D	50 1.97"	50 1.97"	50 1.97"	50 1.97"	64 2.52"	98 3.86"
Dimension E	240 9.45"	240 9.45"	240 9.45"	240 9.45"	320 12.60"	444 17.48"
Dimension F	208 8.19"	208 8.19"	208 8.19"	208 8.19"	271 10.67"	365 14.37"
Dimension G	22 0.87"	22 0.87"	22 0.87"	22 0.87"	28 1.10"	42 1.65"